

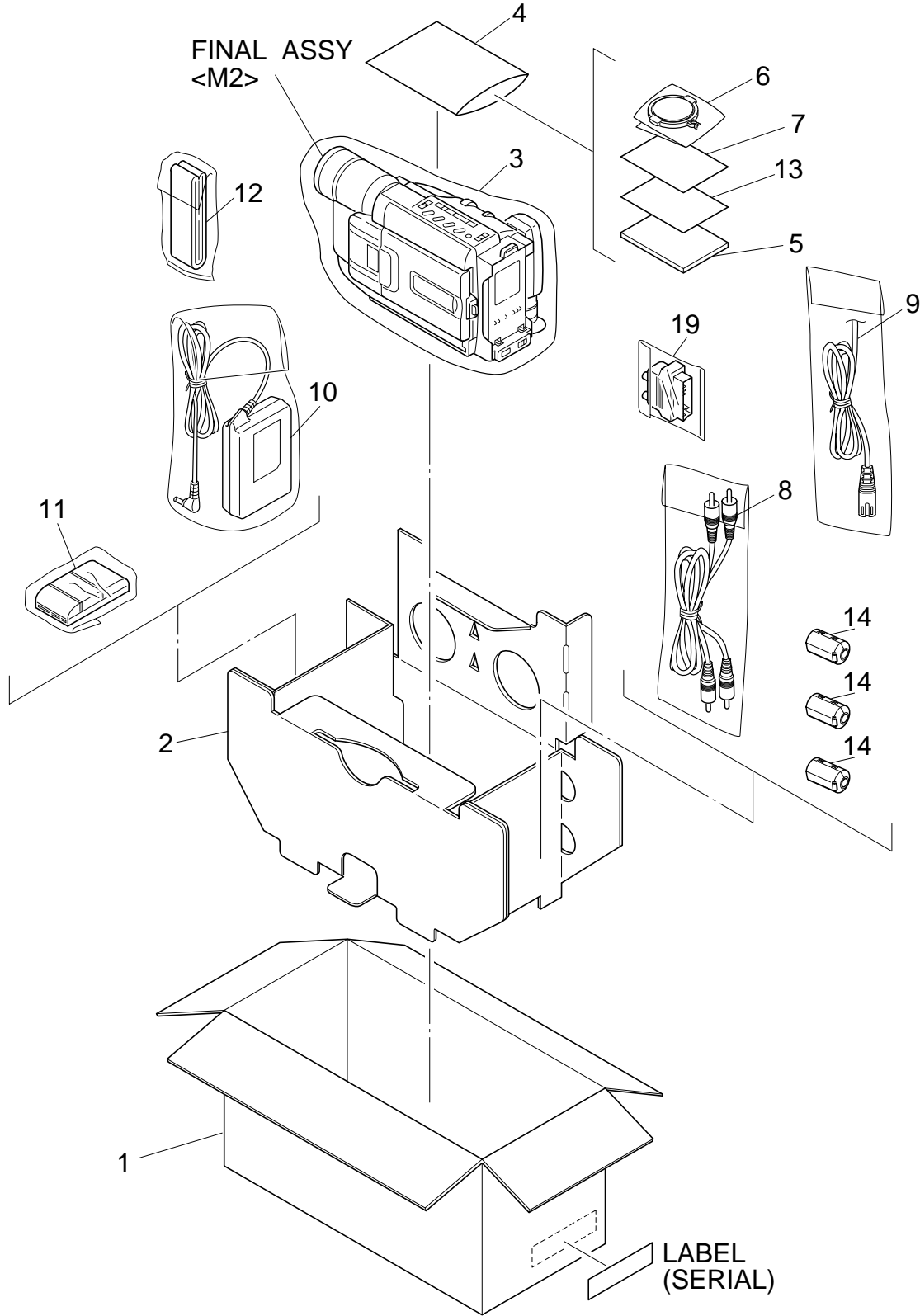
SECTION 5 PARTS LIST

SAFETY PRECAUTION

Parts identified by the  symbol are critical for safety. Replace only with specified part numbers.

5.1 PACKING AND ACCESSORY ASSEMBLY <M1>

The instruction manual to be provided with this product will differ according to the destination.

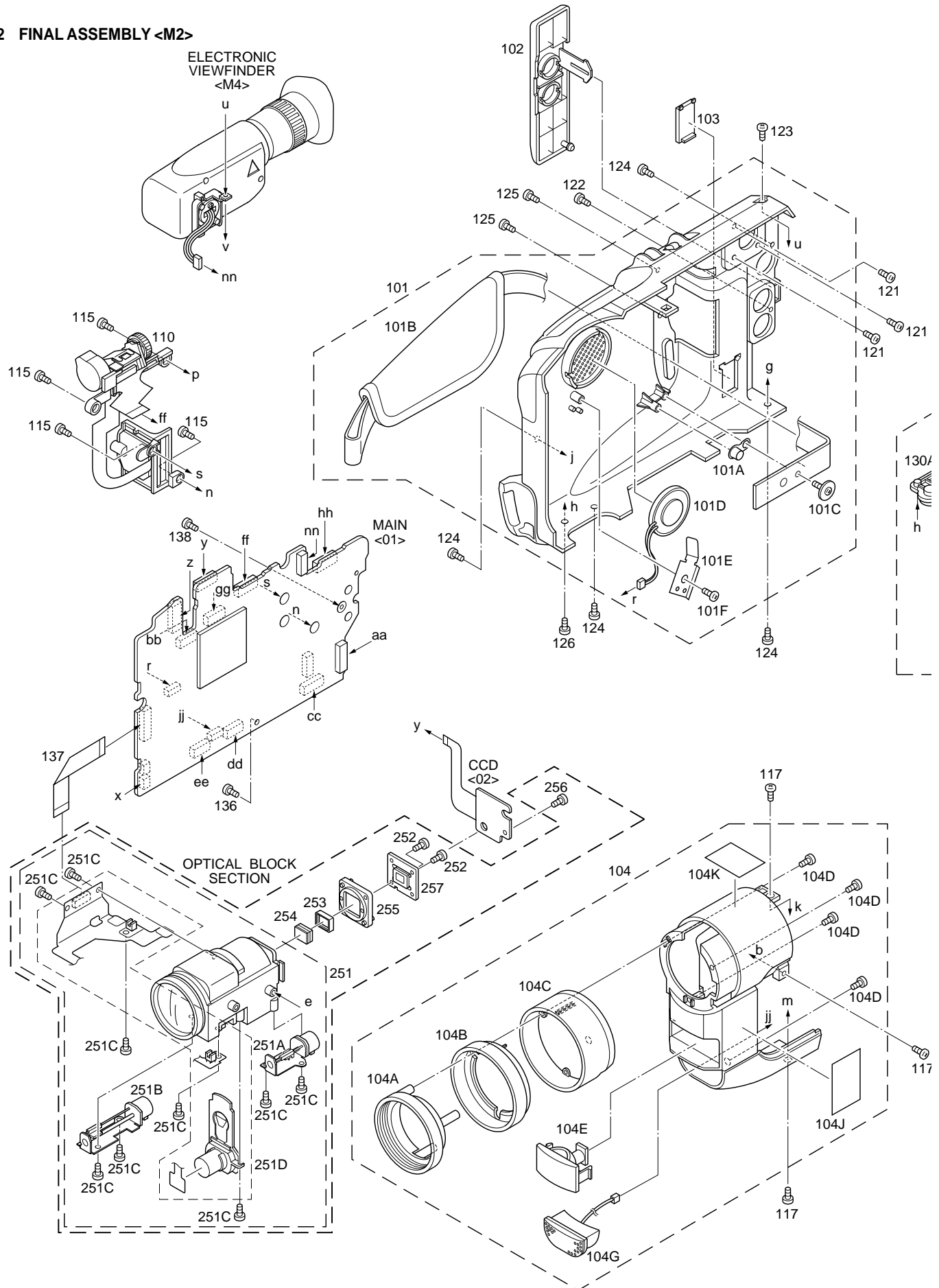


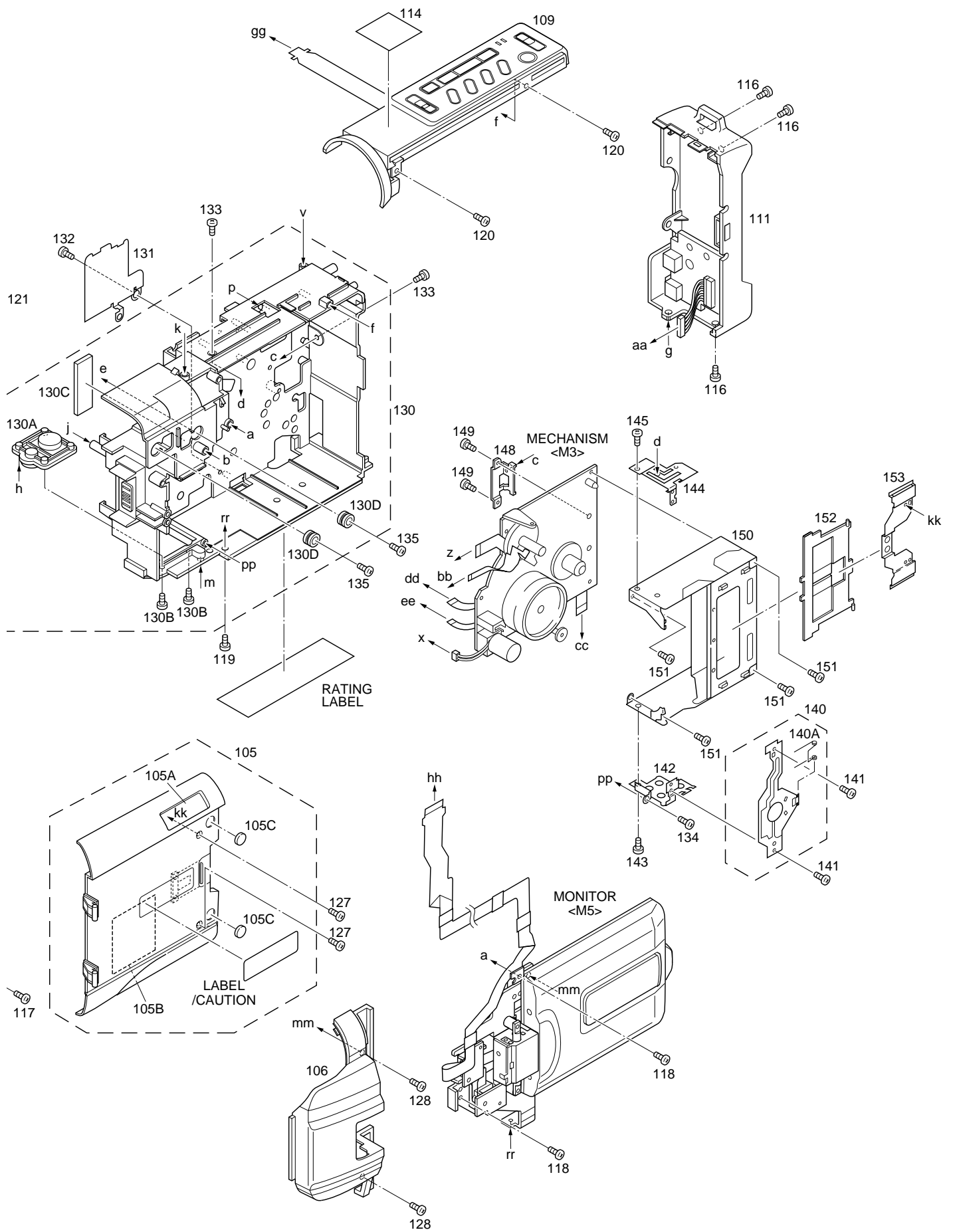
#	△ REF No.	PART No.	PART NAME, DESCRIPTION

PACKING AND ACCESSORY ASSEMBLY <M1>

	1	LY32179-002A	PACKING CASE
	2	LY32065-001B	CUSHION
	3	LY30023-002A	POLY BAG
	4	YQM30061-3	POLY BAG
△	5	LYT0707-001C	IB(EN)
	6	LY41538-003A	LENS CAP
	7	BT-54008-2	GUARANTY CARD
	8	PEAC0362-150	CABLE ASSY(AUDIO/VIDEO)
△	9	QMPP110-190-JR	POWER CORD
△	10	LY20688-001B	AC ADAPTER,AP-V10EG
△	11	YQ10629E	BATTERY PACK,BN-V11U
	12	LY20186-001A	SHOULDER STRAP
△	13	LYT0194-001B	Q.CARD(JUK)
	14	QQR0491-002	CORE FILTER,X3
	19	PEMC1174	CONNECTOR,CABLE ADAPTER

5.2 FINAL ASSEMBLY <M2>





#	△ REF No.	PART No.	PART NAME, DESCRIPTION

FINAL ASSEMBLY <M2>			
101		LY20684-005A	LOWER CASE ASSY
101A		LY40081-001A	CAP
101B		LY20682-001A	GRIP BELT
101C		LY30018-003A	SPECIAL SCREW
101D		QAS0061-001	SPEAKER
101E		LY42764-001B	HOLDER(SPEAKER)
101F		QYSLSF2050Z	SCREW
102		LY31945-001C	COVER(JACK)
103		LY31946-001A	COVER(JIG)
104		LY20683-013A	FRONT COVER ASSY
104A		LY31937-001A	HOOD
104B		LY31938-001A	COVER(HOOD)
104C		LY31936-001A	RING
104D		QYSLSF2060D	SCREW,X4
104E		LY30934-020A	COVER (LIGHT)
104G		LY32043-001A	MICROPHONE
104J		LY32058-001A	STICKER(A)
104K		LY32060-001A	STICKER(C)
105		LY20694-002B	CASS.COVER(M)ASSY
105A		LY42883-001A	MARK
105B		LY40559-001A	SHIELD SHEET
105C		LY40076-001A	SPACER,X2
106		LY10257-005B	UPPER CASE(M)
109		LY20614-014B	TOP OPE UNIT
110		LY20613-001A	ZOOM UNIT
111		LY20615-004B	REAR UNIT
114		LY32061-003A	STICKER(D)
115		QYSLSF2060D	SCREW,X4
116		QYSLSF2060D	SCREW,X3
117		QYSLSF2060D	SCREW,X3
118		QYSLSF2060D	SCREW,X2
119		QYSLSP2030D	SCREW
120		QYSLSF2060D	SCREW,X2
121		QYSLSF2050Z	SCREW,X3
122		QYSLSF2060D	SCREW
123		QYSLSF2060D	SCREW
124		QYSLSF2060D	SCREW,X4
125		QYSLSF2060D	SCREW,X2
126		QYSLSF2060D	SCREW
127		QYSLSP2030D	SCREW,X2
128		QYSLSP2030D	SCREW,X2
130		LY20678-002A	FRAME ASSY
130A		YQ31843	BASE
130B		QYSLSF2060D	SCREW,X2
130C		LY30029-0A4A	SPACER(A)
130D		LY41082-001A	CUSHION(OP),X2
131		LY42758-001A	S.CASE(MAIN)
132		QYSPSTU1725M	SCREW
133		LY41173-001A	SPECIAL SCREW,X2
134		QYSLSF1750D	SCREW
135		LY30018-050A	SPECIAL SCREW,X2
136		LY42981-001A	SPECIAL SCREW
137		WJT0039-001A	E-CARD WIRE,OP-MAIN CN15
138		QYSLSF2060D	SCREW
140		LY31790-001A	FRONT FRAME ASSY
140A		YQ44144-1-1	TAPE GUIDE
141		SPSH1725M	SCREW,X2
142		LY31807-001A	SIDE BRACKET L

#	△ REF No.	PART No.	PART NAME, DESCRIPTION
143		LY42722-003A	SCREW
144		LY31806-001A	SIDE BRACKET R
145		LY42722-003A	SCREW
148		LY31816-001A	BRACKET(MECHA)
149		LY42722-003A	SCREW,X2
150		LY31808-001A	CASS.HOUSING ASSY
151		LY42722-003A	SCREW,X4
152		LY30176-001A	CASS.CO.V.INSIDE
153		LY31956-001A	BRACKET(C.CO.V.)
- OPTICAL BLOCK SECTION -			
251		LY30948-003A	OP BLOCK ASSY
251A		PTY30948-002	FOCUS MOTOR
251B		PTY30948-321	ZOOM MOTOR
251C		PTY30151-016	SCREW,X9
251D		PTY30948-006	IRIS MOTOR UNIT,INCL.FPC
252		QYSPSGU2080Z	SCREW,X2
253		LY31441-001A	SPACER RUBBER
254		LY41756-001A	OPTICAL LPF
255		LY20346-001A	CCD SPACER
256		LY30018-072A	SPECIAL SCREW
257		LYH40018-003A	CCD BASE ASSY

5.3 ELECTRICAL PARTS LIST

#	△ REF No.	PART No.	PART NAME, DESCRIPTION	#	△ REF No.	PART No.	PART NAME, DESCRIPTION

MAIN BOARD ASSEMBLY <01>							
		PW	YB10310EH-04				or UMX1N
		IC101	UPD703039-030				or HN1C01FU/G/-X
			or UPD70F3040-030	Q3003		2SC4097/QR/-X	TRANSISTOR
		IC102	TC7S86FU	Q3501		HN1C01FU/G/-X	PAIR TRANSISTOR
			or SN74AHC1G86K	Q3502		HN1C01FU/G/-X	PAIR TRANSISTOR
			or MC74VHC1G86DF	Q3901		HN1A01FU/G/-X	PAIR TRANSISTOR
		IC104	AT25080N-10SC-X	Q4201		2SC4617/QR/-X	TRANSISTOR
			or X25170S8I-2.5-X	Q4251		RPM-22PB	PHOTO TRANSISTOR
			or 25LC080-I/SN-X	Q4501		DTC114EE	TRANSISTOR
		IC105	M62367GP	Q4701		HN1C01FU/G/-X	PAIR TRANSISTOR
		IC106	IC-PST9327U-X	Q4702		2SC4617/QR/-X	TRANSISTOR
		IC107	RS5C314	Q4703		PUMX1	PAIR TRANSISTOR
△		IC1601	BD6630KV			or HN1C01FU/G/-X	PAIR TRANSISTOR
		IC2001	MC74AC04DT			or UMX1N	PAIR TRANSISTOR
		IC2401	NJM2149V-X	Q4704		PUMT1	PAIR TRANSISTOR
		IC3001	JCY0130			or HN1A01FU/G/-X	PAIR TRANSISTOR
		IC3002	SN74AHC1G04K			or UMT1N	PAIR TRANSISTOR
		IC3501	HA118224F	Q6101		SSM6J07FU	MOS FET
		IC4001	JCY0149	Q6201		SSM6J07FU	MOS FET
		IC4003	UPD6467GR-506-X	Q6301		CPH3304	MOS FET
		IC4004	MM1385NN	Q6307		2SC4617/QR/-X	TRANSISTOR
		IC4201	UPC358G2/5/-W	Q6308		CPH3101	TRANSISTOR
		IC4202	BA10324AF-XE	Q6401		SSM6J07FU	MOS FET
		IC4251	BA10358F-XE	Q6501		SSM6J07FU	MOS FET
		IC4501	UPD16835G3	Q6601		CPH3305	MOS FET
		IC5201	HD49326BF			or CPH3306	MOS FET
		IC5202	JCY0098	Q6608		DTC144EE	TRANSISTOR
		IC6001	FA3698F	Q6621		HN1C01FU/G/-X	PAIR TRANSISTOR
		IC7002	MN5814	Q6622		2SA1577/QR/-X	TRANSISTOR
		IC7006	BA4558F	Q6701		FX802	TRANSISTOR
		IC7007	TC7S04FU	Q6702		2SC4097/QR/-X	TRANSISTOR
			or SN74AHC1G04K	Q6801		2SA1577/QR/-X	TRANSISTOR
			or MC74VHC1G04DF	Q6811		2SB1121/TU/-X	TRANSISTOR
			or 74HC1G04GW			or 2SB1121/ST/-X	TRANSISTOR
		IC7008	SN74LV4052APW	Q7003		PUMX1	PAIR TRANSISTOR
		Q101	2SA1774/RS/-X			or UMX1N	PAIR TRANSISTOR
		Q102	DTC144EE			or HN1C01FU/G/-X	PAIR TRANSISTOR
		Q103	2SC4617/QR/-X	Q7011		PUMX1	PAIR TRANSISTOR
		Q104	DTC144EE			or UMX1N	PAIR TRANSISTOR
		Q105	2SA1774/RS/-X			or HN1C01FU/G/-X	PAIR TRANSISTOR
		Q110	DTC144EE	Q7013		PUMX1	PAIR TRANSISTOR
		Q111	DTC114EE			or UMX1N	PAIR TRANSISTOR
		Q112	DTC114EE			or HN1C01FU/G/-X	PAIR TRANSISTOR
		Q113	2SC4097/QR/-X	Q7015		PUMX1	PAIR TRANSISTOR
		Q2001	DTA114TE			or UMX1N	PAIR TRANSISTOR
		Q2007	PUMX1			or HN1C01FU/G/-X	PAIR TRANSISTOR
			or HN1C01FU/G/-X	Q7017		2SC4617/QR/-X	TRANSISTOR
			or UMX1N	Q7018		2SA1774/QR/-X	TRANSISTOR
		Q2008	PUMT1	Q7019		2SC4617/QR/-X	TRANSISTOR
			or HN1A01FU/G/-X	Q7020		2SA1774/QR/-X	TRANSISTOR
			or UMT1N	Q7022		DTC144EE	TRANSISTOR
		Q2021	DTC144EE	△	D101	SB007W03Q	SB DIODE
		Q2022	DTC144EE		D102	UDZS7.5B	ZENER DIODE
		Q2023	2SC4617/QR/-X		D105	1SS355	DIODE
		Q2071	2SC4617/QR/-X		D106	1SS355	DIODE
		Q2401	DTC144EE		D107	SB007W03Q	SB DIODE
		Q3002	PUMX1		D108	UDZS5.1B	ZENER DIODE
					D501	MA8068	ZENER DIODE
					D502	MA8068	ZENER DIODE
					D4001	UDZS5.1B	ZENER DIODE
					D4002	UDZS5.1B	ZENER DIODE

#	△ REF No.	PART No.	PART NAME, DESCRIPTION		#	△ REF No.	PART No.	PART NAME, DESCRIPTION	
	D5201	1SS355	DIODE			R153	NRSA63J-474X	MG RESISTOR	470kΩ,1/16W
	D6001	CRS03	SB DIODE			R158	NRSA63J-474X	MG RESISTOR	470kΩ,1/16W
	D6101	CRS03	SB DIODE			R159	NRSA63J-474X	MG RESISTOR	470kΩ,1/16W
	D6106	1SS357	SB DIODE			R160	NRSA63J-474X	MG RESISTOR	470kΩ,1/16W
	D6201	CRS03	SB DIODE			R161	NRSA63J-104X	MG RESISTOR	100kΩ,1/16W
	D6301	CRS03	SB DIODE			R162	NRSA63J-472X	MG RESISTOR	4.7kΩ,1/16W
	D6401	CRS03	SB DIODE			R163	NRSA63J-221X	MG RESISTOR	220Ω,1/16W
	D6501	CRS03	SB DIODE			R164	NRSA63J-472X	MG RESISTOR	4.7kΩ,1/16W
	D6601	1SS383	SB DIODE			R166	NRSA63J-103X	MG RESISTOR	10kΩ,1/16W
	D6616	UDZS8.2B	ZENER DIODE			R167	NRSA63J-183X	MG RESISTOR	18kΩ,1/16W
	D7002	MA365	VARI CAP DIODE			R168	NRSA63J-562X	MG RESISTOR	5.6kΩ,1/16W
	D7004	RB471E	SB DIODE			R170	NRSA63J-333X	MG RESISTOR	33kΩ,1/16W
	D7007	UDZS5.1B	ZENER DIODE			R171	NRSA63J-104X	MG RESISTOR	100kΩ,1/16W
	R101	NRSA63J-104X	MG RESISTOR	100kΩ,1/16W		R172	NRSA63J-151X	MG RESISTOR	150Ω,1/16W
△	R104	NRSA63J-102X	MG RESISTOR	1kΩ,1/16W		R173	NRSA63J-0R0X	MG RESISTOR	0Ω,1/16W
	R105	NRSA63J-103X	MG RESISTOR	10kΩ,1/16W		R174	NRSA63J-0R0X	MG RESISTOR	0Ω,1/16W
	R106	NRSA63J-561X	MG RESISTOR	560Ω,1/16W		R175	NRSA63J-105X	MG RESISTOR	1MΩ,1/16W
	R107	NRVA63D-153X	CMF RESISTOR	15kΩ,1/16W		R176	NRSA63J-221X	MG RESISTOR	220Ω,1/16W
	R108	NRVA63D-243X	CMF RESISTOR	24kΩ,1/16W		R180	NRSA63J-331X	MG RESISTOR	330Ω,1/16W
	R109	NRVA63D-183X	CMF RESISTOR	18kΩ,1/16W		R182	NRSA63J-222X	MG RESISTOR	2.2kΩ,1/16W
	R110	NRSA63J-103X	MG RESISTOR	10kΩ,1/16W		R183	NRSA63J-222X	MG RESISTOR	2.2kΩ,1/16W
	R111	NRSA63J-273X	MG RESISTOR	27kΩ,1/16W		R184	NRSA63J-222X	MG RESISTOR	2.2kΩ,1/16W
	R112	NRSA63J-331X	MG RESISTOR	330Ω,1/16W		R188	NRSA63J-222X	MG RESISTOR	2.2kΩ,1/16W
	R113	NRSA63J-562X	MG RESISTOR	5.6kΩ,1/16W		R190	NRSA63J-331X	MG RESISTOR	330Ω,1/16W
	R114	NRSA63J-821X	MG RESISTOR	820Ω,1/16W		R191	NRSA63J-0R0X	MG RESISTOR	0Ω,1/16W
	R115	NRSA63J-101X	MG RESISTOR	100Ω,1/16W		R192	NRSA63J-105X	MG RESISTOR	1MΩ,1/16W
	R116	NRSA63J-102X	MG RESISTOR	1kΩ,1/16W		R195	NRSA63J-0R0X	MG RESISTOR	0Ω,1/16W
	R118	NRSA63J-103X	MG RESISTOR	10kΩ,1/16W		R504	NRSA63J-221X	MG RESISTOR	220Ω,1/16W
	R119	NRSA63J-103X	MG RESISTOR	10kΩ,1/16W		R505	NRSA63J-331X	MG RESISTOR	330Ω,1/16W
	R120	NRSA63J-273X	MG RESISTOR	27kΩ,1/16W		R1601	NRV142F-R33X	CMF RESISTOR	0.33Ω,1/4W
	R121	NRSA63J-273X	MG RESISTOR	27kΩ,1/16W		R1602	NRV142F-R33X	CMF RESISTOR	0.33Ω,1/4W
	R122	NRSA63J-393X	MG RESISTOR	39kΩ,1/16W		R1603	NRSA63J-154X	MG RESISTOR	150kΩ,1/16W
	R123	NRSA63J-104X	MG RESISTOR	100kΩ,1/16W		R1604	NRSA63J-102X	MG RESISTOR	1kΩ,1/16W
	R124	NRSA63J-104X	MG RESISTOR	100kΩ,1/16W		R1605	NRSA63J-102X	MG RESISTOR	1kΩ,1/16W
	R125	NRSA63J-273X	MG RESISTOR	27kΩ,1/16W		R1606	NRSA63J-102X	MG RESISTOR	1kΩ,1/16W
	R126	NRSA63J-153X	MG RESISTOR	15kΩ,1/16W		R1607	NRSA63J-104X	MG RESISTOR	100kΩ,1/16W
	R127	NRSA63J-221X	MG RESISTOR	220Ω,1/16W		R1608	NRSA63J-104X	MG RESISTOR	100kΩ,1/16W
	R128	NRSA63J-102X	MG RESISTOR	1kΩ,1/16W		R1609	NRSA63J-333X	MG RESISTOR	33kΩ,1/16W
	R129	NRSA63J-102X	MG RESISTOR	1kΩ,1/16W		R1610	NRSA63J-103X	MG RESISTOR	10kΩ,1/16W
	R130	NRSA63J-105X	MG RESISTOR	1MΩ,1/16W		R1612	NRSA63J-392X	MG RESISTOR	3.9kΩ,1/16W
	R131	NRSA63J-105X	MG RESISTOR	1MΩ,1/16W		R1613	NRSA63J-104X	MG RESISTOR	100kΩ,1/16W
	R132	NRSA63J-105X	MG RESISTOR	1MΩ,1/16W		R1614	NRSA63J-333X	MG RESISTOR	33kΩ,1/16W
	R133	NRSA63J-105X	MG RESISTOR	1MΩ,1/16W		R1615	NRSA63J-103X	MG RESISTOR	10kΩ,1/16W
	R134	NRSA63J-105X	MG RESISTOR	1MΩ,1/16W		R1617	NRSA63J-183X	MG RESISTOR	18kΩ,1/16W
	R135	NRSA63J-104X	MG RESISTOR	100kΩ,1/16W		R1618	NRSA63J-154X	MG RESISTOR	150kΩ,1/16W
	R136	NRSA63J-474X	MG RESISTOR	470kΩ,1/16W		R1619	NRSA63J-471X	MG RESISTOR	470Ω,1/16W
	R138	NRSA63J-333X	MG RESISTOR	33kΩ,1/16W		R1620	NRSA63J-684X	MG RESISTOR	680kΩ,1/16W
	R139	NRSA63J-104X	MG RESISTOR	100kΩ,1/16W		R1621	NRSA63J-102X	MG RESISTOR	1kΩ,1/16W
	R140	NRSA63J-753X	MG RESISTOR	75kΩ,1/16W		R1622	NRSA63J-224X	MG RESISTOR	220kΩ,1/16W
	R141	NRSA63J-334X	MG RESISTOR	330kΩ,1/16W		R1623	NRSA63J-223X	MG RESISTOR	22kΩ,1/16W
	R142	NRSA63J-103X	MG RESISTOR	10kΩ,1/16W		R1624	NRSA63J-104X	MG RESISTOR	100kΩ,1/16W
	R143	NRSA63J-105X	MG RESISTOR	1MΩ,1/16W		R1625	NRSA63J-104X	MG RESISTOR	100kΩ,1/16W
	R144	NRSA63J-221X	MG RESISTOR	220Ω,1/16W		R1626	NRSA63J-104X	MG RESISTOR	100kΩ,1/16W
	R145	NRSA63J-222X	MG RESISTOR	2.2kΩ,1/16W		R1628	NRSA63J-0R0X	MG RESISTOR	0Ω,1/16W
	R146	NRSA63J-474X	MG RESISTOR	470kΩ,1/16W		R1629	NRSA63J-0R0X	MG RESISTOR	0Ω,1/16W
	R147	NRSA63J-472X	MG RESISTOR	4.7kΩ,1/16W		R1630	NRSA63J-0R0X	MG RESISTOR	0Ω,1/16W
	R148	NRSA63J-0R0X	MG RESISTOR	0Ω,1/16W		R1631	NRSA63J-122X	MG RESISTOR	1.2kΩ,1/16W
	R149	NRSA63J-104X	MG RESISTOR	100kΩ,1/16W		R1632	NRSA63J-153X	MG RESISTOR	15kΩ,1/16W
	R150	NRSA63J-222X	MG RESISTOR	2.2kΩ,1/16W		R1633	NRSA63J-683X	MG RESISTOR	68kΩ,1/16W
	R151	NRSA63J-222X	MG RESISTOR	2.2kΩ,1/16W		R2001	NRSA63J-104X	MG RESISTOR	100kΩ,1/16W
	R152	NRSA63J-474X	MG RESISTOR	470kΩ,1/16W		R2002	NRSA63J-332X	MG RESISTOR	3.3kΩ,1/16W

#	△ REF No.	PART No.	PART NAME, DESCRIPTION	#	△ REF No.	PART No.	PART NAME, DESCRIPTION	
R2003		NRSA63J-102X	MG RESISTOR	1kΩ,1/16W	R4017	NRSA63J-103X	MG RESISTOR	10kΩ,1/16W
R2004		NRSA63J-681X	MG RESISTOR	680Ω,1/16W	R4018	NRSA63J-103X	MG RESISTOR	10kΩ,1/16W
R2005		NRSA63J-272X	MG RESISTOR	2.7kΩ,1/16W	R4021	NRSA63J-0R0X	MG RESISTOR	0Ω,1/16W
R2006		NRSA63J-102X	MG RESISTOR	1kΩ,1/16W	R4022	NRSA63J-0R0X	MG RESISTOR	0Ω,1/16W
R2011		NRSA63J-101X	MG RESISTOR	100Ω,1/16W	R4036	NRSA63J-0R0X	MG RESISTOR	0Ω,1/16W
R2012		NRSA63J-101X	MG RESISTOR	100Ω,1/16W	R4037	NRSA63J-102X	MG RESISTOR	1kΩ,1/16W
R2021		NRSA63J-103X	MG RESISTOR	10kΩ,1/16W	R4201	NRSA63J-103X	MG RESISTOR	10kΩ,1/16W
R2022		NRSA63J-334X	MG RESISTOR	330kΩ,1/16W	R4202	NRSA63J-563X	MG RESISTOR	56kΩ,1/16W
R2023		NRSA63J-820X	MG RESISTOR	82Ω,1/16W	R4203	NRSA63J-103X	MG RESISTOR	10kΩ,1/16W
R2024		NRVA63D-183X	CMF RESISTOR	18kΩ,1/16W	R4204	NRSA63J-331X	MG RESISTOR	330Ω,1/16W
R2025		NRSA63J-823X	MG RESISTOR	82kΩ,1/16W	R4205	NRSA63J-105X	MG RESISTOR	1MΩ,1/16W
R2027		NRSA63J-102X	MG RESISTOR	1kΩ,1/16W	R4206	NRSA63J-103X	MG RESISTOR	10kΩ,1/16W
R2028		NRSA63J-102X	MG RESISTOR	1kΩ,1/16W	R4207	NRSA63J-104X	MG RESISTOR	100kΩ,1/16W
R2030		NRSA63J-104X	MG RESISTOR	100kΩ,1/16W	R4208	NRSA63J-472X	MG RESISTOR	4.7kΩ,1/16W
R2031		NRSA63J-332X	MG RESISTOR	3.3kΩ,1/16W	R4209	NRSA63J-104X	MG RESISTOR	100kΩ,1/16W
R2032		NRSA63J-270X	MG RESISTOR	27Ω,1/16W	R4210	NRSA63J-105X	MG RESISTOR	1MΩ,1/16W
R2051		NRSA63J-102X	MG RESISTOR	1kΩ,1/16W	R4211	NRSA63J-243X	MG RESISTOR	24kΩ,1/16W
R2071		NRSA63J-473X	MG RESISTOR	47kΩ,1/16W	R4214	NRSA63J-472X	MG RESISTOR	4.7kΩ,1/16W
R2072		NRSA63J-562X	MG RESISTOR	5.6kΩ,1/16W	R4215	NRSA63J-683X	MG RESISTOR	68kΩ,1/16W
R2401		NRSA63J-392X	MG RESISTOR	3.9kΩ,1/16W	R4216	NRSA63J-103X	MG RESISTOR	10kΩ,1/16W
R2402		NRSA63J-332X	MG RESISTOR	3.3kΩ,1/16W	R4217	NRSA63J-102X	MG RESISTOR	1kΩ,1/16W
R2403		NRSA63J-103X	MG RESISTOR	10kΩ,1/16W	R4218	NRSA63J-102X	MG RESISTOR	1kΩ,1/16W
R3001		NRSA63J-105X	MG RESISTOR	1MΩ,1/16W	R4219	NRSA63J-104X	MG RESISTOR	100kΩ,1/16W
R3002		NRVA63D-471X	CMF RESISTOR	470Ω,1/16W	R4220	NRSA63J-152X	MG RESISTOR	1.5kΩ,1/16W
R3004		NRVA63D-333X	CMF RESISTOR	33kΩ,1/16W	R4221	NRSA63J-334X	MG RESISTOR	330kΩ,1/16W
R3006		NRVA63D-561X	CMF RESISTOR	560Ω,1/16W	R4222	NRSA63J-154X	MG RESISTOR	150kΩ,1/16W
R3007		NRVA63D-183X	CMF RESISTOR	18kΩ,1/16W	R4223	NRSA63J-333X	MG RESISTOR	33kΩ,1/16W
R3008		NRSA63J-393X	MG RESISTOR	39kΩ,1/16W	R4224	NRSA63J-223X	MG RESISTOR	22kΩ,1/16W
R3009		NRSA63J-272X	MG RESISTOR	2.7kΩ,1/16W	R4251	NRSA63J-182X	MG RESISTOR	1.8kΩ,1/16W
R3010		NRSA63J-332X	MG RESISTOR	3.3kΩ,1/16W	R4252	NRSA63J-103X	MG RESISTOR	10kΩ,1/16W
R3014		NRSA63J-681X	MG RESISTOR	680Ω,1/16W	R4253	NRSA63J-103X	MG RESISTOR	10kΩ,1/16W
R3015		NRSA63J-332X	MG RESISTOR	3.3kΩ,1/16W	R4254	NRSA63J-684X	MG RESISTOR	680kΩ,1/16W
R3016		NRSA63J-332X	MG RESISTOR	3.3kΩ,1/16W	R4255	NRSA63J-222X	MG RESISTOR	2.2kΩ,1/16W
R3018		NRSA63J-271X	MG RESISTOR	270Ω,1/16W	R4256	NRSA63J-824X	MG RESISTOR	820kΩ,1/16W
R3023		NRSA63J-331X	MG RESISTOR	330Ω,1/16W	R4257	NRSA63J-822X	MG RESISTOR	8.2kΩ,1/16W
R3028		NRVA63D-472X	CMF RESISTOR	4.7kΩ,1/16W	R4258	NRSA63J-104X	MG RESISTOR	100kΩ,1/16W
R3029		NRSA63J-0R0X	MG RESISTOR	0Ω,1/16W	R4259	NRSA63J-683X	MG RESISTOR	68kΩ,1/16W
R3030		NRSA63J-561X	MG RESISTOR	560Ω,1/16W	R4262	NRSA63J-302X	MG RESISTOR	3kΩ,1/16W
R3034		NRSA63J-220X	MG RESISTOR	22Ω,1/16W	△ R4501	NRSA63J-6R8X	MG RESISTOR	6.8Ω,1/16W
R3038		NRSA63J-392X	MG RESISTOR	3.9kΩ,1/16W	△ R4502	NRSA63J-6R8X	MG RESISTOR	6.8Ω,1/16W
R3501		NRSA63J-221X	MG RESISTOR	220Ω,1/16W	△ R4503	NRSA63J-6R8X	MG RESISTOR	6.8Ω,1/16W
R3502		NRSA63J-102X	MG RESISTOR	1kΩ,1/16W	△ R4504	NRSA63J-6R8X	MG RESISTOR	6.8Ω,1/16W
R3504		NRSA63J-102X	MG RESISTOR	1kΩ,1/16W	R4505	NRSA63J-271X	MG RESISTOR	270Ω,1/16W
R3505		NRSA63J-102X	MG RESISTOR	1kΩ,1/16W	R4507	NRSA63J-103X	MG RESISTOR	10kΩ,1/16W
R3506		NRSA63J-102X	MG RESISTOR	1kΩ,1/16W	R4508	NRSA63J-103X	MG RESISTOR	10kΩ,1/16W
R3507		NRSA63J-101X	MG RESISTOR	100Ω,1/16W	R4514	NRSA63J-223X	MG RESISTOR	22kΩ,1/16W
R3508		NRSA63J-153X	MG RESISTOR	15kΩ,1/16W	R4515	NRSA63J-182X	MG RESISTOR	1.8kΩ,1/16W
R3901		NRSA63J-100X	MG RESISTOR	10Ω,1/16W	R4701	NRSA63J-0R0X	MG RESISTOR	0Ω,1/16W
R3902		NRSA63J-101X	MG RESISTOR	100Ω,1/16W	R4702	NRSA63J-680X	MG RESISTOR	68Ω,1/16W
R3903		NRSA63J-182X	MG RESISTOR	1.8kΩ,1/16W	R4703	NRVA63D-561X	CMF RESISTOR	560Ω,1/16W
R4001		NRSA63J-113X	MG RESISTOR	11kΩ,1/16W	R4704	NRVA63D-272X	CMF RESISTOR	2.7kΩ,1/16W
R4002		NRSA63J-123X	MG RESISTOR	12kΩ,1/16W	R4705	NRVA63D-562X	CMF RESISTOR	5.6kΩ,1/16W
R4003		NRSA63J-153X	MG RESISTOR	15kΩ,1/16W	R4706	NRSA63J-681X	MG RESISTOR	680Ω,1/16W
R4004		NRSA63J-103X	MG RESISTOR	10kΩ,1/16W	R4707	NRSA63J-122X	MG RESISTOR	1.2kΩ,1/16W
R4006		NRVA63D-103X	CMF RESISTOR	10kΩ,1/16W	R4708	NRSA63J-104X	MG RESISTOR	100kΩ,1/16W
R4007		NRVA63D-392X	CMF RESISTOR	3.9kΩ,1/16W	R4709	NRSA63J-332X	MG RESISTOR	3.3kΩ,1/16W
R4008		NRVA63D-272X	CMF RESISTOR	2.7kΩ,1/16W	R4710	NRSA63J-332X	MG RESISTOR	3.3kΩ,1/16W
R4009		NRVA63D-152X	CMF RESISTOR	1.5kΩ,1/16W	R4722	NRVA63D-680X	CMF RESISTOR	68Ω,1/16W
R4010		NRVA63D-122X	CMF RESISTOR	1.2kΩ,1/16W	R5201	NRSA63J-243X	MG RESISTOR	24kΩ,1/16W
R4015		NRSA63J-103X	MG RESISTOR	10kΩ,1/16W	R5202	NRSA63J-220X	MG RESISTOR	22Ω,1/16W
R4016		NRSA63J-103X	MG RESISTOR	10kΩ,1/16W	R5204	NRSA63J-0R0X	MG RESISTOR	0Ω,1/16W

#	△ REF No.	PART No.	PART NAME, DESCRIPTION		#	△ REF No.	PART No.	PART NAME, DESCRIPTION	
R5205		NRSA63J-102X	MG RESISTOR	1kΩ,1/16W	R6702		NRSA63J-221X	MG RESISTOR	220Ω,1/16W
R5206		NRSA63J-102X	MG RESISTOR	1kΩ,1/16W	R6704		NRVA63D-472X	CMF RESISTOR	4.7kΩ,1/16W
R5207		NRSA63J-102X	MG RESISTOR	1kΩ,1/16W	R6706		NRZ0058-R20X	MG RESISTOR	0.2Ω,1/2W
R5212		NRSA63J-101X	MG RESISTOR	100Ω,1/16W	R6707		NRS016J-121X	MG RESISTOR	120Ω,1W
R5213		NRSA63J-101X	MG RESISTOR	100Ω,1/16W	R6708		NRS016J-121X	MG RESISTOR	120Ω,1W
R5214		NRSA63J-101X	MG RESISTOR	100Ω,1/16W	R6709		NRS016J-121X	MG RESISTOR	120Ω,1W
R5215		NRSA63J-104X	MG RESISTOR	100kΩ,1/16W	R6710		NRVA63D-823X	CMF RESISTOR	82kΩ,1/16W
R5216		NRSA63J-100X	MG RESISTOR	10Ω,1/16W	R6711		NRVA63D-333X	CMF RESISTOR	33kΩ,1/16W
R5217		NRSA63J-104X	MG RESISTOR	100kΩ,1/16W	R6712		NRSA63J-222X	MG RESISTOR	2.2kΩ,1/16W
R5218		NRSA63J-0R0X	MG RESISTOR	0Ω,1/16W	R6713		NRSA63J-562X	MG RESISTOR	5.6kΩ,1/16W
R5220		NRSA63J-0R0X	MG RESISTOR	0Ω,1/16W	R6801		NRSA63J-102X	MG RESISTOR	1kΩ,1/16W
R6001		NRSA63J-104X	MG RESISTOR	100kΩ,1/16W	R6803		NRVA63D-223X	CMF RESISTOR	22kΩ,1/16W
R6002		NRSA63J-333X	MG RESISTOR	33kΩ,1/16W	R6804		NRVA63D-103X	CMF RESISTOR	10kΩ,1/16W
R6003		NRVA63D-912X	CMF RESISTOR	9.1kΩ,1/16W	R6810		NRSA63J-0R0X	MG RESISTOR	0Ω,1/16W
R6004		NRVA63D-471X	CMF RESISTOR	470Ω,1/16W	R6811		NRSA63J-102X	MG RESISTOR	1kΩ,1/16W
R6005		NRVA63D-183X	CMF RESISTOR	18kΩ,1/16W	R6813		NRVA63D-104X	CMF RESISTOR	100kΩ,1/16W
R6006		NRSA63J-472X	MG RESISTOR	4.7kΩ,1/16W	R6814		NRVA63D-683X	CMF RESISTOR	68kΩ,1/16W
R6008		NRVA63D-183X	CMF RESISTOR	18kΩ,1/16W	R6820		NRSA63J-102X	MG RESISTOR	1kΩ,1/16W
R6009		NRSA63J-224X	MG RESISTOR	220kΩ,1/16W	R6961		NRSA63J-223X	MG RESISTOR	22kΩ,1/16W
R6010		NRSA63J-473X	MG RESISTOR	47kΩ,1/16W	R7009		NRSA63J-0R0X	MG RESISTOR	0Ω,1/16W
R6011		NRSA63J-473X	MG RESISTOR	47kΩ,1/16W	R7025		NRSA63J-103X	MG RESISTOR	10kΩ,1/16W
R6012		NRSA63J-103X	MG RESISTOR	10kΩ,1/16W	R7027		NRSA63J-102X	MG RESISTOR	1kΩ,1/16W
R6015		NRSA63J-104X	MG RESISTOR	100kΩ,1/16W	R7028		NRSA63J-102X	MG RESISTOR	1kΩ,1/16W
R6016		NRSA63J-104X	MG RESISTOR	100kΩ,1/16W	R7031		NRSA63J-474X	MG RESISTOR	470kΩ,1/16W
R6019		NRSA63J-222X	MG RESISTOR	2.2kΩ,1/16W	R7032		NRSA63J-223X	MG RESISTOR	22kΩ,1/16W
R6020		NRSA63J-224X	MG RESISTOR	220kΩ,1/16W	R7033		NRSA63J-104X	MG RESISTOR	100kΩ,1/16W
R6021		NRSA63J-102X	MG RESISTOR	1kΩ,1/16W	R7035		NRSA63J-103X	MG RESISTOR	10kΩ,1/16W
R6022		NRSA63J-102X	MG RESISTOR	1kΩ,1/16W	R7040		NRVA63D-333X	CMF RESISTOR	33kΩ,1/16W
R6023		NRSA63J-102X	MG RESISTOR	1kΩ,1/16W	R7042		NRVA63D-123X	CMF RESISTOR	12kΩ,1/16W
R6103		NRVA63D-223X	CMF RESISTOR	22kΩ,1/16W	R7043		NRVA63D-123X	CMF RESISTOR	12kΩ,1/16W
R6104		NRVA63D-103X	CMF RESISTOR	10kΩ,1/16W	R7044		NRVA63D-752X	CMF RESISTOR	7.5kΩ,1/16W
R6203		NRVA63D-103X	CMF RESISTOR	10kΩ,1/16W	R7045		NRVA63D-103X	CMF RESISTOR	10kΩ,1/16W
R6204		NRVA63D-103X	CMF RESISTOR	10kΩ,1/16W	R7046		NRSA63J-103X	MG RESISTOR	10kΩ,1/16W
R6303		NRVA63D-183X	CMF RESISTOR	18kΩ,1/16W	R7049		NRSA63J-680X	MG RESISTOR	68Ω,1/16W
R6304		NRVA63D-472X	CMF RESISTOR	4.7kΩ,1/16W	R7050		NRSA63J-680X	MG RESISTOR	68Ω,1/16W
R6309		NRSA63J-103X	MG RESISTOR	10kΩ,1/16W	R7051		NRSA63J-680X	MG RESISTOR	68Ω,1/16W
R6310		NRSA63J-152X	MG RESISTOR	1.5kΩ,1/16W	R7057		NRSA63J-0R0X	MG RESISTOR	0Ω,1/16W
R6311		NRSA63J-473X	MG RESISTOR	47kΩ,1/16W	R7067		NRSA63J-223X	MG RESISTOR	22kΩ,1/16W
R6403		NRSA63J-473X	MG RESISTOR	47kΩ,1/16W	R7068		NRSA63J-223X	MG RESISTOR	22kΩ,1/16W
R6404		NRSA63J-302X	MG RESISTOR	3kΩ,1/16W	R7069		NRSA63J-223X	MG RESISTOR	22kΩ,1/16W
R6406		NRSA63J-183X	MG RESISTOR	18kΩ,1/16W	R7070		NRSA63J-223X	MG RESISTOR	22kΩ,1/16W
R6407		NRSA63J-823X	MG RESISTOR	82kΩ,1/16W	R7071		NRSA63J-223X	MG RESISTOR	22kΩ,1/16W
R6503		NRSA63J-243X	MG RESISTOR	24kΩ,1/16W	R7072		NRSA02J-182X	MG RESISTOR	1.8kΩ,1/10W
R6504		NRSA63J-332X	MG RESISTOR	3.3kΩ,1/16W	R7073		NRSA02J-331X	MG RESISTOR	330Ω,1/10W
R6506		NRSA63J-223X	MG RESISTOR	22kΩ,1/16W	R7074		NRSA63J-103X	MG RESISTOR	10kΩ,1/16W
R6507		NRSA63J-823X	MG RESISTOR	82kΩ,1/16W	R7077		NRVA63D-682X	CMF RESISTOR	6.8kΩ,1/16W
R6603		NRVA63D-683X	CMF RESISTOR	68kΩ,1/16W	R7083		NRSA63J-105X	MG RESISTOR	1MΩ,1/16W
R6604		NRVA63D-392X	CMF RESISTOR	3.9kΩ,1/16W	R7086		NRVA63D-123X	CMF RESISTOR	12kΩ,1/16W
R6605		NRSA63J-274X	MG RESISTOR	270kΩ,1/16W	R7091		NRVA63D-123X	CMF RESISTOR	12kΩ,1/16W
R6606		NRSA63J-272X	MG RESISTOR	2.7kΩ,1/16W	R7093		NRVA63D-223X	CMF RESISTOR	22kΩ,1/16W
R6612		NRSA63J-823X	MG RESISTOR	82kΩ,1/16W	R7096		NRVA63D-123X	CMF RESISTOR	12kΩ,1/16W
R6613		NRSA63J-104X	MG RESISTOR	100kΩ,1/16W	R7110		NRSA63J-105X	MG RESISTOR	1MΩ,1/16W
R6614		NRSA63J-472X	MG RESISTOR	4.7kΩ,1/16W	R7112		NRVA63D-332X	CMF RESISTOR	3.3kΩ,1/16W
R6616		NRSA63J-102X	MG RESISTOR	1kΩ,1/16W	R7114		NRVA63D-223X	CMF RESISTOR	22kΩ,1/16W
R6622		NRVA63D-104X	CMF RESISTOR	100kΩ,1/16W	R7116		NRVA63D-332X	CMF RESISTOR	3.3kΩ,1/16W
R6623		NRVA63D-473X	CMF RESISTOR	47kΩ,1/16W	R7118		NRVA63D-223X	CMF RESISTOR	22kΩ,1/16W
R6624		NRSA63J-273X	MG RESISTOR	27kΩ,1/16W	R7120		NRVA63D-332X	CMF RESISTOR	3.3kΩ,1/16W
R6625		NRSA63J-822X	MG RESISTOR	8.2kΩ,1/16W	R7122		NRVA63D-223X	CMF RESISTOR	22kΩ,1/16W
R6626		NRVA63D-563X	CMF RESISTOR	56kΩ,1/16W	R7124		NRVA63D-103X	CMF RESISTOR	10kΩ,1/16W
R6627		NRVA63D-363X	CMF RESISTOR	36kΩ,1/16W	R7127		NRVA63D-103X	CMF RESISTOR	10kΩ,1/16W
R6701		NRSA63J-680X	MG RESISTOR	68Ω,1/16W	R7128		NRVA63D-103X	CMF RESISTOR	10kΩ,1/16W

#	△ REF No.	PART No.	PART NAME, DESCRIPTION		#	△ REF No.	PART No.	PART NAME, DESCRIPTION	
	R7129	NRVA63D-103X	CMF RESISTOR	10kΩ,1/16W		C1609	NCB31CK-104X	CAPACITOR	0.1μF,16V
	R7130	NRVA63D-103X	CMF RESISTOR	10kΩ,1/16W		C1610	NCB31CK-104X	CAPACITOR	0.1μF,16V
	R7131	NRVA63D-103X	CMF RESISTOR	10kΩ,1/16W		C1611	NCB31CK-104X	CAPACITOR	0.1μF,16V
	R7132	NRVA63D-103X	CMF RESISTOR	10kΩ,1/16W		C1612	NDC31HJ-331X	CAPACITOR	330pF,50V
	R7139	NRVA63D-911X	CMF RESISTOR	910Ω,1/16W		C1613	NCB21CK-334X	CAPACITOR	0.33μF,16V
	R7143	NRSA63J-0R0X	MG RESISTOR	0Ω,1/16W		C1614	NBE41AM-226X	T CAPACITOR	22μF,10V
	R7213	NRSA63J-0R0X	MG RESISTOR	0Ω,1/16W		C1615	NCB31HK-681X	CAPACITOR	680pF,50V
	RA101	NRZ0038-222X	NETWORK RESISTOR	2.2kΩ		C1616	NCB21CK-474X	CAPACITOR	0.47μF,16V
	RA102	NRZ0038-222X	NETWORK RESISTOR	2.2kΩ		C1617	NCB31HK-152X	CAPACITOR	0.0015μF,50V
	RA103	NRZ0038-222X	NETWORK RESISTOR	2.2kΩ		C1618	NBE21AM-106X	T CAPACITOR	10μF,10V
	RA104	NRZ0038-222X	NETWORK RESISTOR	2.2kΩ		C1619	NCB31CK-223X	CAPACITOR	0.022μF,16V
	RA105	NRZ0038-473X	NETWORK RESISTOR	47kΩ		C1620	NCB31HK-472X	CAPACITOR	0.0047μF,50V
	RA106	NRZ0037-331X	NETWORK RESISTOR	330Ω		C1621	NBP41CM-106X	T CAPACITOR	10μF,16V
	RA107	NRZ0034-102W	NETWORK RESISTOR	1kΩ		C2001	NBE20JM-106X	T CAPACITOR	10μF,6.3V
	RA108	NRZ0034-102W	NETWORK RESISTOR	1kΩ		C2002	NFV41HJ-183X	MPPS CAPACITOR	0.018μF,50V
	RA109	NRZ0038-474X	NETWORK RESISTOR	470kΩ		C2003	NDC31HJ-331X	CAPACITOR	330pF,50V
	C102	NCF31EZ-104X	CAPACITOR	0.1μF,25V		C2004	NBE20JM-226X	T CAPACITOR	22μF,6.3V
	C103	NBE41AM-106X	T CAPACITOR	10μF,10V		C2005	NCB21CK-105X	CAPACITOR	1μF,16V
	C104	NCB31EK-103X	CAPACITOR	0.01μF,25V		C2021	NCB31EK-103X	CAPACITOR	0.01μF,25V
	C105	NCB21CK-224X	CAPACITOR	0.22μF,16V		C2022	NBE90GM-156X	T CAPACITOR	15μF,4.0V
	C106	NCF31EZ-104X	CAPACITOR	0.1μF,25V		C2023	NBE91CM-105X	T CAPACITOR	1μF,16V
	C107	NCB31EK-103X	CAPACITOR	0.01μF,25V		C2024	NCB31HK-102X	CAPACITOR	0.001μF,50V
	C108	NBE21AM-225X	T CAPACITOR	2.2μF,10V		C2025	NCB30JK-105X	CAPACITOR	1μF,6.3V
	C109	NBE41AM-106X	T CAPACITOR	10μF,10V		C2026	NCB31HK-222X	CAPACITOR	0.0022μF,50V
	C110	NDC31HJ-101X	CAPACITOR	100pF,50V		C2027	NCB30JK-474X	CAPACITOR	0.47μF,6.3V
	C111	NEA70JM-226X	E CAPACITOR	22μF,6.3V		C2028	NCB30JK-105X	CAPACITOR	1μF,6.3V
	C112	NEA70JM-226X	E CAPACITOR	22μF,6.3V		C2029	NCB30JK-105X	CAPACITOR	1μF,6.3V
	C113	NCB31EK-103X	CAPACITOR	0.01μF,25V		C2031	NCB31CK-104X	CAPACITOR	0.1μF,16V
	C114	NCB31EK-103X	CAPACITOR	0.01μF,25V		C2032	NCB31HK-472X	CAPACITOR	0.0047μF,50V
	C115	NCF31EZ-104X	CAPACITOR	0.1μF,25V		C2033	NBE20JM-475X	T CAPACITOR	4.7μF,6.3V
	C116	NCB31EK-103X	CAPACITOR	0.01μF,25V		C2034	NCB31CK-104X	CAPACITOR	0.1μF,16V
	C118	NCF31EZ-104X	CAPACITOR	0.1μF,25V		C2035	NBE20JM-226X	T CAPACITOR	22μF,6.3V
	C119	NCB31EK-103X	CAPACITOR	0.01μF,25V		C2036	NBE20JM-106X	T CAPACITOR	10μF,6.3V
	C120	NCB31EK-103X	CAPACITOR	0.01μF,25V		C2037	NBE20JM-226X	T CAPACITOR	22μF,6.3V
	C121	NCF31EZ-104X	CAPACITOR	0.1μF,25V		C2038	NCB30JK-474X	CAPACITOR	0.47μF,6.3V
	C122	NCF31EZ-104X	CAPACITOR	0.1μF,25V		C2039	NDC31HJ-330X	CAPACITOR	33pF,50V
	C123	NDC31HJ-100X	CAPACITOR	10pF,50V		C2051	NCB31EK-103X	CAPACITOR	0.01μF,25V
	C124	NDC31HJ-100X	CAPACITOR	10pF,50V		C2071	NBE20JM-106X	T CAPACITOR	10μF,6.3V
	C125	NCB31EK-103X	CAPACITOR	0.01μF,25V		C2072	NCB31HK-222X	CAPACITOR	0.0022μF,50V
	C126	NDC31HJ-120X	CAPACITOR	12pF,50V		C2401	NEA70GM-476X	E CAPACITOR	47μF,4.0V
	C127	NCB31CK-333X	CAPACITOR	0.033μF,16V		C2402	NCB30JK-105X	CAPACITOR	1μF,6.3V
	C128	NCB21CK-474X	CAPACITOR	0.47μF,16V		C2403	NBE20JM-475X	T CAPACITOR	4.7μF,6.3V
	C129	NCB31CK-333X	CAPACITOR	0.033μF,16V		C2404	NCF31EZ-104X	CAPACITOR	0.1μF,25V
	C131	NCF31EZ-104X	CAPACITOR	0.1μF,25V		C3002	NCB21CK-105X	CAPACITOR	1μF,16V
	C132	NCF31EZ-104X	CAPACITOR	0.1μF,25V		C3003	NCB21CK-105X	CAPACITOR	1μF,16V
	C133	NCF31EZ-104X	CAPACITOR	0.1μF,25V		C3004	NCF31EZ-104X	CAPACITOR	0.1μF,25V
	C134	NCF31EZ-104X	CAPACITOR	0.1μF,25V		C3005	NCF31EZ-104X	CAPACITOR	0.1μF,25V
	C137	NCB31EK-223X	CAPACITOR	0.022μF,25V		C3006	NDC31HG-100X	CAPACITOR	10pF,50V
	C146	NCB31EK-103X	CAPACITOR	0.01μF,25V		C3007	NDC31HG-100X	CAPACITOR	10pF,50V
	C1201	NCB31HK-102X	CAPACITOR	0.001μF,50V		C3009	NCF31EZ-104X	CAPACITOR	0.1μF,25V
	C1202	NBE20JM-106X	T CAPACITOR	10μF,6.3V		C3011	NCF31EZ-104X	CAPACITOR	0.1μF,25V
	C1205	NCB31EK-153X	CAPACITOR	0.015μF,25V		C3012	NCF31EZ-104X	CAPACITOR	0.1μF,25V
	C1206	NBE20JM-106X	T CAPACITOR	10μF,6.3V		C3013	NCF31EZ-104X	CAPACITOR	0.1μF,25V
	C1601	NCB31EK-103X	CAPACITOR	0.01μF,25V		C3014	NCF31EZ-104X	CAPACITOR	0.1μF,25V
	C1602	NCB21CK-224X	CAPACITOR	0.22μF,16V		C3015	NCF31EZ-104X	CAPACITOR	0.1μF,25V
	C1603	NCB31CK-223X	CAPACITOR	0.022μF,16V		C3017	NCF31EZ-104X	CAPACITOR	0.1μF,25V
	C1604	NCB31CK-223X	CAPACITOR	0.022μF,16V		C3019	NCB31EK-103X	CAPACITOR	0.01μF,25V
	C1605	NCB31CK-223X	CAPACITOR	0.022μF,16V		C3020	NCB31EK-103X	CAPACITOR	0.01μF,25V
	C1606	NCB31CK-104X	CAPACITOR	0.1μF,16V		C3027	NCB31EK-103X	CAPACITOR	0.01μF,25V
	C1607	NCB31CK-104X	CAPACITOR	0.1μF,16V		C3028	NCB31EK-103X	CAPACITOR	0.01μF,25V
	C1608	NCB31CK-683X	CAPACITOR	0.068μF,16V		C3037	NDC31HJ-100X	CAPACITOR	10pF,50V

#	△ REF No.	PART No.	PART NAME, DESCRIPTION	#	△ REF No.	PART No.	PART NAME, DESCRIPTION	
C3506		NCB31EK-103X	CAPACITOR	0.01μF,25V	C4707	NCB21CK-105X	CAPACITOR	1μF,16V
C3507		NCB31EK-103X	CAPACITOR	0.01μF,25V	C5203	NCB10JK-106X	CAPACITOR	10μF,6.3V
C3508		NCB31EK-103X	CAPACITOR	0.01μF,25V	C5207	NCB31EK-103X	CAPACITOR	0.01μF,25V
C3509		NDC31HJ-221X	CAPACITOR	220pF,50V	C5208	NCB31EK-103X	CAPACITOR	0.01μF,25V
C3510		NCB31CK-104X	CAPACITOR	0.1μF,16V	C5209	NCB31EK-103X	CAPACITOR	0.01μF,25V
C3512		NCB10JK-106X	CAPACITOR	10μF,6.3V	C5210	NCF31EZ-104X	CAPACITOR	0.1μF,25V
C3513		NCB31CK-223X	CAPACITOR	0.022μF,16V	C5211	NCB21CK-105X	CAPACITOR	1μF,16V
C3514		NCB21CK-105X	CAPACITOR	1μF,16V	C5212	NCB21CK-105X	CAPACITOR	1μF,16V
C3515		NCB31EK-103X	CAPACITOR	0.01μF,25V	C5213	NCB31HK-332X	CAPACITOR	0.0033μF,50V
C3516		NDC31HJ-100X	CAPACITOR	10pF,50V	C5214	NCB31EK-103X	CAPACITOR	0.01μF,25V
C3902		NCB31EK-103X	CAPACITOR	0.01μF,25V	C5218	NCF31EZ-104X	CAPACITOR	0.1μF,25V
C3903		NDC31HJ-3R0X	CAPACITOR	3pF,50V	C5219	NBP21CM-685X	T CAPACITOR	6.8μF,16V
C4006		NCF31EZ-104X	CAPACITOR	0.1μF,25V	C5221	NCB11EK-105X	CAPACITOR	1μF,25V
C4008		NCF31EZ-104X	CAPACITOR	0.1μF,25V	C5222	NCB31CK-104X	CAPACITOR	0.1μF,16V
C4009		NCF31EZ-104X	CAPACITOR	0.1μF,25V	C5223	NCF31EZ-104X	CAPACITOR	0.1μF,25V
C4010		NCF31EZ-104X	CAPACITOR	0.1μF,25V	C5225	NCF31EZ-104X	CAPACITOR	0.1μF,25V
C4012		NCF31EZ-104X	CAPACITOR	0.1μF,25V	C5227	NCB31CK-104X	CAPACITOR	0.1μF,16V
C4014		NCF31EZ-104X	CAPACITOR	0.1μF,25V	C5228	NCF31EZ-104X	CAPACITOR	0.1μF,25V
C4017		NCF31EZ-104X	CAPACITOR	0.1μF,25V	C5229	NCB11EK-105X	CAPACITOR	1μF,25V
C4019		NCF31EZ-104X	CAPACITOR	0.1μF,25V	C5230	NCB21EK-104X	CAPACITOR	0.1μF,25V
C4022		NCF31EZ-104X	CAPACITOR	0.1μF,25V	C5232	NDC31HJ-100X	CAPACITOR	10pF,50V
C4024		NCF31EZ-104X	CAPACITOR	0.1μF,25V	C5233	NDC31HJ-100X	CAPACITOR	10pF,50V
C4028		NCF31EZ-104X	CAPACITOR	0.1μF,25V	C5234	NDC31HJ-100X	CAPACITOR	10pF,50V
C4029		NCF31EZ-104X	CAPACITOR	0.1μF,25V	C5235	NDC31HJ-100X	CAPACITOR	10pF,50V
C4030		NCF31EZ-104X	CAPACITOR	0.1μF,25V	C5236	NDC31HJ-100X	CAPACITOR	10pF,50V
C4036		NCF31EZ-104X	CAPACITOR	0.1μF,25V	C5237	NDC31HJ-100X	CAPACITOR	10pF,50V
C4044		NCB21CK-105X	CAPACITOR	1μF,16V	C6002	NEA71CM-106X	E CAPACITOR	10μF,16V
C4048		NCB10JK-106X	CAPACITOR	10μF,6.3V	C6004	NCF21CZ-105X	CAPACITOR	1μF,16V
C4049		NDC31HJ-100X	CAPACITOR	10pF,50V	C6005	NCB21CK-105X	CAPACITOR	1μF,16V
C4051		NDC31HJ-221X	CAPACITOR	220pF,50V	C6006	NCF21CZ-105X	CAPACITOR	1μF,16V
C4052		NCB21CK-105X	CAPACITOR	1μF,16V	C6007	NCB21CK-105X	CAPACITOR	1μF,16V
C4053		NCF31EZ-104X	CAPACITOR	0.1μF,25V	C6009	NDC31HJ-820X	CAPACITOR	82pF,50V
C4201		NEA71HM-225X	E CAPACITOR	2.2μF,50V	C6010	NCB21CK-224X	CAPACITOR	0.22μF,16V
C4202		NCF31EZ-104X	CAPACITOR	0.1μF,25V	C6011	NCB21CK-104X	CAPACITOR	0.1μF,16V
C4203		NCB31CK-104X	CAPACITOR	0.1μF,16V	C6012	NCB21CK-224X	CAPACITOR	0.22μF,16V
C4205		NCB31EK-103X	CAPACITOR	0.01μF,25V	C6013	NCB31EK-473X	CAPACITOR	0.047μF,25V
C4206		NCB31CK-104X	CAPACITOR	0.1μF,16V	C6014	NCB31EK-473X	CAPACITOR	0.047μF,25V
C4207		NCB31EK-103X	CAPACITOR	0.01μF,25V	C6015	NCB31EK-473X	CAPACITOR	0.047μF,25V
C4208		NCB31CK-104X	CAPACITOR	0.1μF,16V	C6016	NCB31EK-473X	CAPACITOR	0.047μF,25V
C4209		NCF21CZ-105X	CAPACITOR	1μF,16V	C6017	NCF21CZ-105X	CAPACITOR	1μF,16V
C4210		NCF21CZ-105X	CAPACITOR	1μF,16V	C6018	NCB21CK-224X	CAPACITOR	0.22μF,16V
C4251		NEA71HM-335X	E CAPACITOR	3.3μF,50V	C6020	NCB21CK-224X	CAPACITOR	0.22μF,16V
C4252		NCB31CK-104X	CAPACITOR	0.1μF,16V	C6101	NCB21CK-105X	CAPACITOR	1μF,16V
C4253		NCB31EK-153X	CAPACITOR	0.015μF,25V	C6102	NCB10JK-106X	CAPACITOR	10μF,6.3V
C4254		NCB31EK-153X	CAPACITOR	0.015μF,25V	C6105	NCB31HK-102X	CAPACITOR	0.001μF,50V
C4256		NEA71CM-106X	E CAPACITOR	10μF,16V	C6106	NCF21CZ-105X	CAPACITOR	1μF,16V
C4502		NBE21AM-106X	T CAPACITOR	10μF,10V	C6107	NCF21CZ-105X	CAPACITOR	1μF,16V
C4504		NCF31EZ-104X	CAPACITOR	0.1μF,25V	C6110	NCB31HK-152X	CAPACITOR	0.0015μF,50V
C4505		NDC31HJ-330X	CAPACITOR	33pF,50V	C6201	NCB21CK-105X	CAPACITOR	1μF,16V
C4506		NCB31HK-102X	CAPACITOR	0.001μF,50V	C6202	NCB10JK-106X	CAPACITOR	10μF,6.3V
C4507		NCB31HK-102X	CAPACITOR	0.001μF,50V	C6203	NEA70JM-476X	E CAPACITOR	47μF,6.3V
C4508		NCB31HK-102X	CAPACITOR	0.001μF,50V	C6205	NCB31HK-472X	CAPACITOR	0.0047μF,50V
C4509		NCB31HK-102X	CAPACITOR	0.001μF,50V	C6210	NCB31EK-103X	CAPACITOR	0.01μF,25V
C4510		NCB31CK-104X	CAPACITOR	0.1μF,16V	C6301	NCB11CK-225X	CAPACITOR	2.2μF,16V
C4511		NCF31EZ-104X	CAPACITOR	0.1μF,25V	C6302	NCB10JK-106X	CAPACITOR	10μF,6.3V
C4701		NBE20JM-106X	T CAPACITOR	10μF,6.3V	C6303	NEA70JM-226X	E CAPACITOR	22μF,6.3V
C4702		NCF31EZ-104X	CAPACITOR	0.1μF,25V	C6305	NCB31HK-561X	CAPACITOR	560pF,50V
C4703		NBE20JM-106X	T CAPACITOR	10μF,6.3V	C6308	NBE20JM-106X	T CAPACITOR	10μF,6.3V
C4704		NCB21CK-105X	CAPACITOR	1μF,16V	C6310	NCB31HK-102X	CAPACITOR	0.001μF,50V
C4705		NDC31HJ-820X	CAPACITOR	82pF,50V	C6401	NCB21CK-105X	CAPACITOR	1μF,16V
C4706		NDC31HJ-150X	CAPACITOR	15pF,50V	C6402	NCF21CZ-105X	CAPACITOR	1μF,16V

#	△ REF No.	PART No.	PART NAME, DESCRIPTION	#	△ REF No.	PART No.	PART NAME, DESCRIPTION
C6406		NCB31CK-683X	CAPACITOR 0.068μF,16V	C7066		NCB11EK-105X	CAPACITOR 1μF,25V
C6410		NCB21CK-474X	CAPACITOR 0.47μF,16V	C7067		NCB31CK-104X	CAPACITOR 0.1μF,16V
C6501		NCB21CK-105X	CAPACITOR 1μF,16V	C7069		NCB31EK-103X	CAPACITOR 0.01μF,25V
C6502		NCF21CZ-105X	CAPACITOR 1μF,16V	L101		NQL034K-330X	COIL 33μH
C6506		NCB21CK-224X	CAPACITOR 0.22μF,16V	L501		NQR0129-002X	FERRITE BEAD
C6510		NCB31CK-104X	CAPACITOR 0.1μF,16V	L1601		NQL38DK-100X	COIL 10μH
C6601		NCB11CK-225X	CAPACITOR 2.2μF,16V	L1602		NQL144K-100X	COIL 10μH
C6602		NCF21CZ-105X	CAPACITOR 1μF,16V	L2001		NQL144K-101X	COIL 100μH
C6603		NCB11CK-475X	CAPACITOR 4.7μF,16V	L2003		NQL034K-470X	COIL 47μH
C6605		NDC31HJ-331X	CAPACITOR 330pF,50V	L2004		NQR0403-003X	FERRITE BEAD
C6606		NCF21CZ-105X	CAPACITOR 1μF,16V	L2021		NQL144K-470X	COIL 47μH
C6607		NCB11EK-105X	CAPACITOR 1μF,25V	L2022		NQR0403-003X	FERRITE BEAD
C6610		NCB31EK-103X	CAPACITOR 0.01μF,25V	L2023		NQR0406-003X	FERRITE BEAD
C6616		NCB21CK-105X	CAPACITOR 1μF,16V	L2401		NQL144K-470X	COIL 47μH
C6622		NCB21CK-105X	CAPACITOR 1μF,16V	L3002		NQR0006-001X	FERRITE BEAD
C6700		NCB31HK-272X	CAPACITOR 0.0027μF,50V	L3003		NQR0129-002X	FERRITE BEAD
C6701		NCF21CZ-105X	CAPACITOR 1μF,16V	L3502		NQL38DK-220X	COIL 22μH
C6702		NCB41CK-106X	CAPACITOR 10μF,16V	L3503		NQL085J-5R6X	COIL 5.6μH
C6711		NCB21HK-472X	CAPACITOR 0.0047μF,50V	L4201		NQR0006-001X	FERRITE BEAD
C6802		NCF21CZ-105X	CAPACITOR 1μF,16V	L4501		NQR0006-001X	FERRITE BEAD
C6805		NCB31HK-102X	CAPACITOR 0.001μF,50V	L4502		NQL034K-220X	COIL 22μH
C6810		NCB31EK-103X	CAPACITOR 0.01μF,25V	L4701		NQL38DK-220X	COIL 22μH
C6812		NCF21CZ-105X	CAPACITOR 1μF,16V	L5201		NQL38DK-470X	COIL 47μH
C6820		NCB31HK-102X	CAPACITOR 0.001μF,50V	L5202		NQL38DK-220X	COIL 22μH
C7001		NCB31EK-103X	CAPACITOR 0.01μF,25V	L5203		NQL38DK-220X	COIL 22μH
C7002		NBE20JM-106X	T CAPACITOR 10μF,6.3V	L6001		NQL52EM-100X	COIL 10μH
C7013		NCB30JK-105X	CAPACITOR 1μF,6.3V	L6002		NQL52EM-100X	COIL 10μH
C7019		NDC31HJ-121X	CAPACITOR 120pF,50V	L6101		NQL52EM-390X	COIL 39μH
C7020		NDC31HJ-151X	CAPACITOR 150pF,50V	L6106		NQL144K-101X	COIL 100μH
C7021		NBP41EM-475X	T CAPACITOR 4.7μF,25V	L6107		NQL144K-101X	COIL 100μH
C7022		NCB31EK-103X	CAPACITOR 0.01μF,25V	L6201		NQL52EM-470X	COIL 47μH
C7023		NCB31EK-103X	CAPACITOR 0.01μF,25V	L6301		NQL52EM-390X	COIL 39μH
C7024		NBP41EM-475X	T CAPACITOR 4.7μF,25V	L6401		NQL52EM-470X	COIL 47μH
C7025		NCB31EK-103X	CAPACITOR 0.01μF,25V	L6501		NQL52EM-470X	COIL 47μH
C7026		NBE20JM-106X	T CAPACITOR 10μF,6.3V	L6601		NQL52EM-221X	COIL 220μH
C7028		NCB31EK-103X	CAPACITOR 0.01μF,25V	L6602		NQL144K-221X	COIL 220μH
C7029		NCB31CK-104X	CAPACITOR 0.1μF,16V	L6606		NQL144K-220X	COIL 22μH
C7030		NCB31EK-103X	CAPACITOR 0.01μF,25V	L6701		NQL52EM-100X	COIL 10μH
C7031		NDC31HJ-220X	CAPACITOR 22pF,50V	L7001		NQL38DK-220X	COIL 22μH
C7032		NCB31CK-104X	CAPACITOR 0.1μF,16V	L7005		NQL38DK-220X	COIL 22μH
C7033		NCB21CK-334X	CAPACITOR 0.33μF,16V	L7006		NQL38DK-220X	COIL 22μH
C7034		NDC31HJ-331X	CAPACITOR 330pF,50V	L7007		NQL38DK-220X	COIL 22μH
C7035		NDC31HJ-330X	CAPACITOR 33pF,50V	L7008		NQL38DK-220X	COIL 22μH
C7036		NCB31CK-104X	CAPACITOR 0.1μF,16V	L7009		NQL38DK-220X	COIL 22μH
C7037		NDC31HJ-330X	CAPACITOR 33pF,50V	L7010		NQL085J-4R7X	COIL 4.7μH
C7038		NCB31EK-103X	CAPACITOR 0.01μF,25V	L7012		NQL144K-100X	COIL 10μH
C7039		NBP41CM-106X	T CAPACITOR 10μF,16V	X101		NAX0251-001X	CRYSTAL RESONATOR
C7042		NCB31EK-103X	CAPACITOR 0.01μF,25V	X102		NAX0325-001X	CRYSTAL RESONATOR
C7045		NDC31HJ-100X	CAPACITOR 10pF,50V	X3001		QAX0596-001	CRYSTAL RESONATOR
C7046		NDC31HJ-100X	CAPACITOR 10pF,50V	WR1		WJV0039-001A	E-PRIMARY WIRE, JUMP WIRE
C7047		NDC31HJ-100X	CAPACITOR 10pF,50V	△ J101		QAB0022-001	LI BATTERY
C7048		NBE20JM-106X	T CAPACITOR 10μF,6.3V	J504		LY31356-002A	JACK UNIT
C7051		NCB31EK-103X	CAPACITOR 0.01μF,25V	CN1		QGF0507F3-10X	FFC/FPC CONNECTOR
C7052		NBE20JM-106X	T CAPACITOR 10μF,6.3V	CN2		QGF0507F3-14X	FFC/FPC CONNECTOR
C7053		NCB31EK-103X	CAPACITOR 0.01μF,25V	CN3		QGF0505F2-18X	FPC CONNECTOR
C7054		NBP41EM-475X	T CAPACITOR 4.7μF,25V	CN4		QGA1201F2-06X	CONNECTOR
C7057		NCB31EK-682X	CAPACITOR 0.0068μF,25V	CN5		QGF0507F1-11X	FPC CONNECTOR
C7059		NBP41EM-475X	T CAPACITOR 4.7μF,25V	CN7		QGF0507F3-11X	FFC/FPC CONNECTOR
C7060		NCB11CK-225X	CAPACITOR 2.2μF,16V	CN8		QGA1201C2-02X	CONNECTOR
C7064		NCB11EK-105X	CAPACITOR 1μF,25V	CN12		QGA1201F2-05X	CONNECTOR
C7065		NCB11EK-105X	CAPACITOR 1μF,25V	CN13		QGF0507F3-14X	FFC/FPC CONNECTOR

#	△ REF No.	PART No.	PART NAME, DESCRIPTION
		CN15	QGF0507F1-22X FPC CONNECTOR
		CN16	QGF0305F1-33X FPC CONNECTOR
		CN18	QGF0507F3-12X FFC/FPC CONNECTOR
		CN22	QGF0507F3-14X FFC/FPC CONNECTOR
		CN25	QGB0506L1-30X CONNECTOR
		CN27	QGA1201C2-02X CONNECTOR
		CN28	QGA1002F1-13X CONNECTOR
△	F6001	NMFZ007-2R0X-K	FUSE T2.0A
△	F6002	NMFZ010-R50X-A	FUSE T0.5A
		SD1	LY43082-001A SHIELD SHEET
		OT1	LY30016-049A SPACER-A,FOR WR1
		OT2	LY30029-0B6A SPACER(A),FOR LI BATTERY

#	△ REF No.	PART No.	PART NAME, DESCRIPTION
---	-----------	----------	------------------------